



PowerLink
Connecting Spaces. Powering Work.

Contents



Overview	4
Configurations	7
Components	8
Screens	9





PowerLink

Power & Data, Simplified.

Introducing the PowerLink - the perfect solution for enhancing flexibility in open-plan office environments. Seamlessly integrating with sit-stand desks and worktops, it delivers both power and data while maintaining a clean, modern aesthetic.

The added fabric screens offer privacy and space division, ensuring a productive and comfortable workspace. Designed with simplicity and elegance in mind, the PowerLink redefines the open office concept by infusing energy and functionality into every corner.

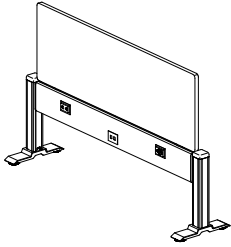


- 1.** The PowerLink combines seamless power and data integration with a sleek, modern design for a clean, aesthetically pleasing look.
- 2.** Choose from fabric screens in 20" or 24" height options to enhance privacy and create clear space division.
- 3.** Our standard square foot offers ample support, with the option of a T-foot for extra stability when required.
- 4.** Complete your workstation by integrating our versatile 2-stage or 3-stage sit-stand options for optimal comfort and functionality.

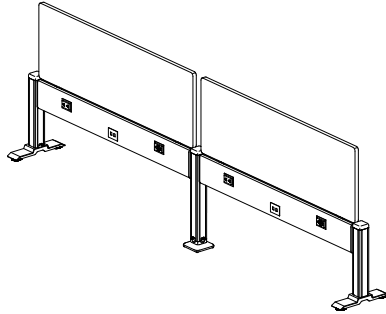


Configurations

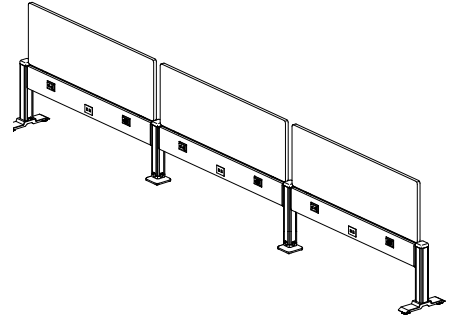
Straight



Straight Single

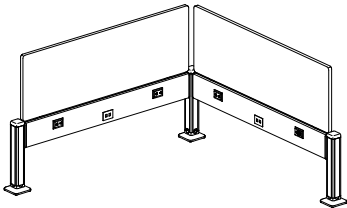


Straight Double

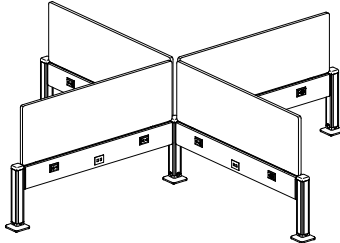


Straight Triple

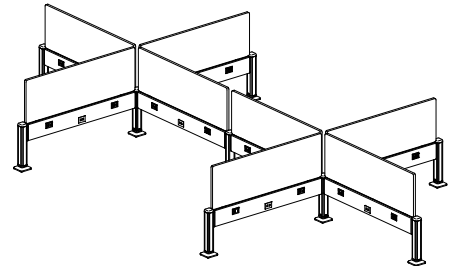
90°



90° L Shape

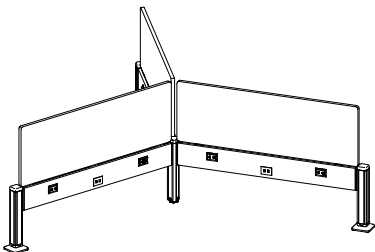


90° 4-Pack

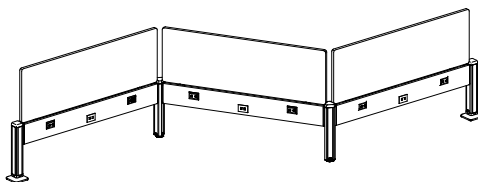


90° 8-Pack

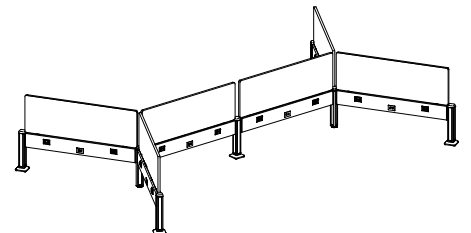
120°



120° 3-Pack



120° S Shape



120° Dogbone

COMPONENTS & SCREENS

Beam Finishes



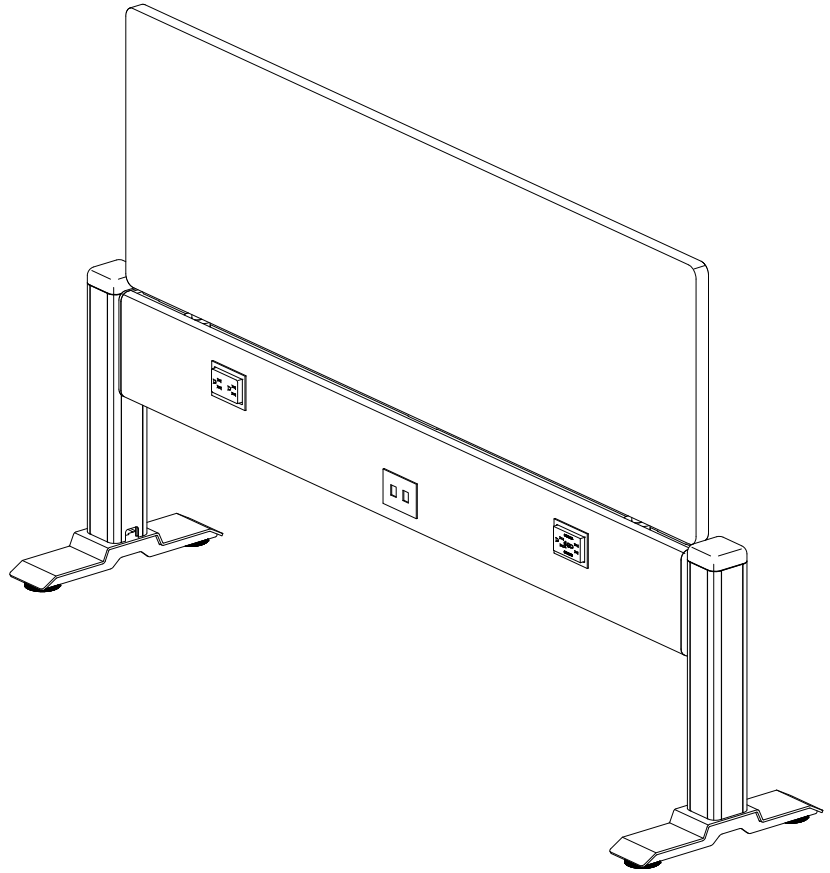
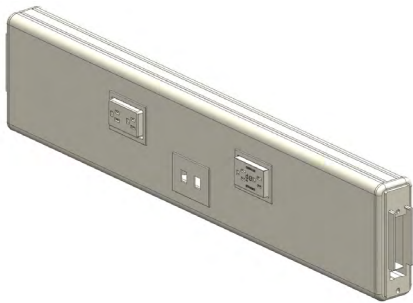
Black Umber (BU)



Metallic Silver (MS)



White Frost (WF)



Finished PowerLink (21"H)

Finished PowerLink W/ 2 Receptacles On Each Side & 2 Cat6 Intranet Outlets Per Side.

Available in 36", 48", 60", & 72" Widths



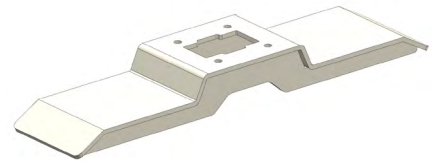
Post (4-way)

Support leg assembly with die casting base, 4 WY connection side.



120° Support Leg (3-Way)

120° support leg, 3-way connection.



Flat Foot

Flat foot. Provides support at end of straight runs and in other applications as needed.



Screens

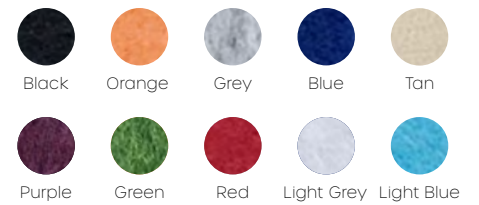
24mm PET and 24mm Fabric Covered PET

Heights: 20", 24"

Widths: 36", 48", 60", 72"

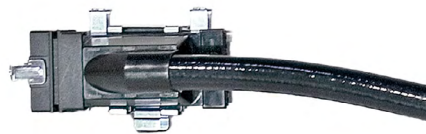
Note: Custom screen heights are available up to 36"h for an upcharge.

PET COLOR CHOICES



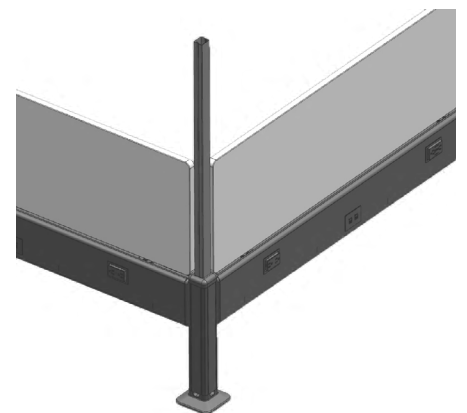
Finish Cover for Post

Finish cover for post, also available for 120° post.



Base Power

4 Circuit base power entry power kit.



Ceiling Power/Power Pole

4 Circuit ceiling power through power poll.







www.openplan.com | sales@openplan.com | 844.OPS.OPS1 | REV 09.15.25

© 2025 Open Plan Systems

All content is subject to change. For the most current revision, visit www.openplan.com.